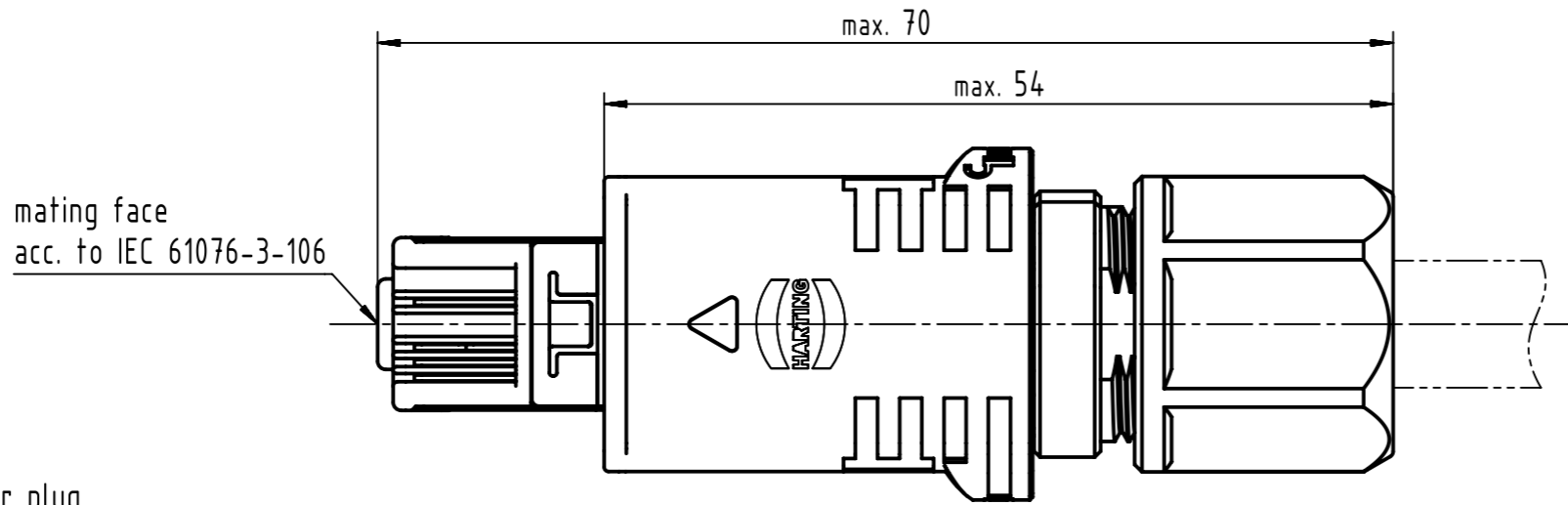
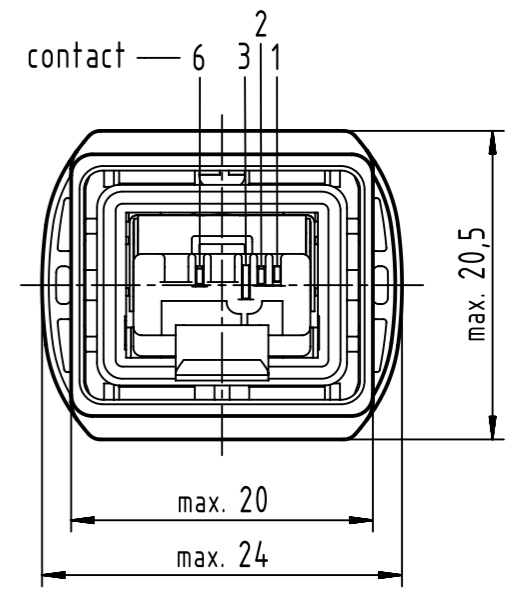
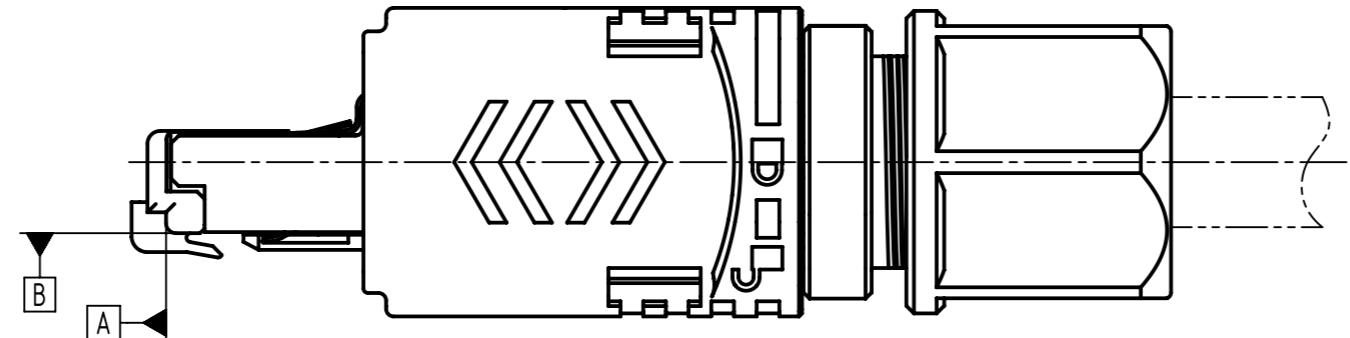
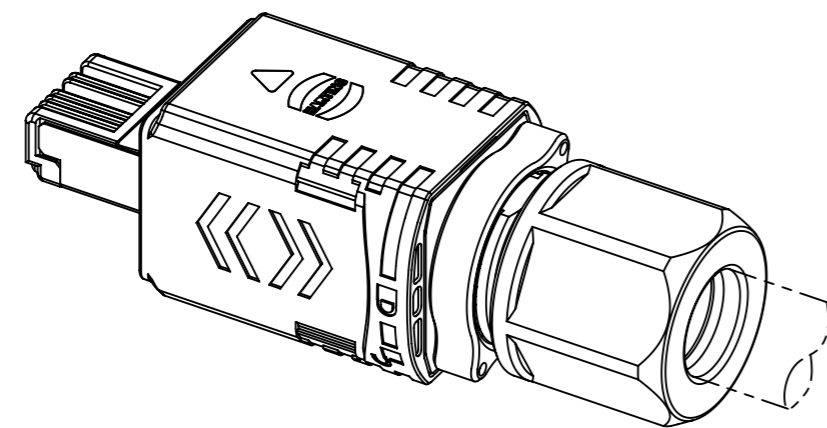
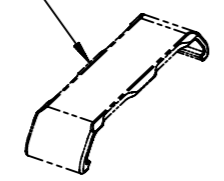


HARTING PushPull V4 Plug and RJ45, not assembled



coding clip for plug
see TB 0945840000X,
please order separately



Further information see product data sheet

	All rights reserved Department EL PD HARTING Electronics GmbH D-32339 Espelkamp	All Dimensions in mm Original Size DIN A3		Scale 2:1	Free size tol.	Ref. Sub.
		Created by ZWAHR	Inspected by ELLERMANN	Standardisation HOFFMANN	Date 2019-01-24	State Final Release
Title HARTING PushPull V4 Plug, RJ45, Cat.5, IDC,4-pole						Doc-Key / ECM-Nr. 100657688/UGD/000/F 500000146296
Type TB				Number 09451451106		Rev. F
						Page 1/1